

## Data sheet

### Wireless M-Bus Dongle

- Interface between standard wired M-Bus and up to 4 wireless M-Bus meters
- Registers from wireless M-Bus are mapped to wired M-Bus
- Is configured with wM-Bus Dongle USB Tool and M-Bus converter setup tool



## Features

---

- 868 MHz ISM band transceiver
- Bidirectional wireless communication link – one-way at C-mode, two-way at T-mode
- Wireless communication to up to 4 devices, complies with EN 13757-4 C-mode and T-mode
- Wireless M-Bus devices for Kamstrup heat, cooling and water are supported
- Output power +10 dBm / Sensitivity -95 dBm
- Range 100 m line of sight
- Wired M-Bus connection [EN 13757-3]
- M-Bus powered only (using 7 unit loads)
- 0.5 m wire for wired M-Bus
- Full DSMR V2.2 compliant on both wired and wireless ports
- AES encryption supported with independent keys for up to 4 devices
- Small form factor for easy installation
- Ambient temperature range -25 °C - +55 °C
- Cable length for installing up to 1,000 m (according to EN 13757-2)
- Complies with ETSI EN 300 220-1
- CE R&TTE Approval
- IP54, indoor use only
- Prefixed baud rate
- When integrated with Kamstrup M-Bus Master 250D, up to 18 dongles type 6697152 can be connected to the same M-Bus Master

## Transmitted information

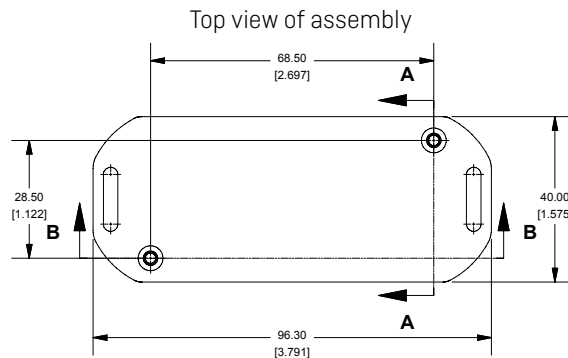
---

E.g. MULTICAL® 21

- Current meter count
- Meter count on the first day of the current month. Alternatively, max flow in the last completed month
- List of active info codes, including list of info codes that have been active within the last 30 days
- Hour counter
- flowIQ® 2200 [KWM2210] is also supported in the latest version
- Interpretation in third-party systems is, however, different from the package design from MULTICAL® 21

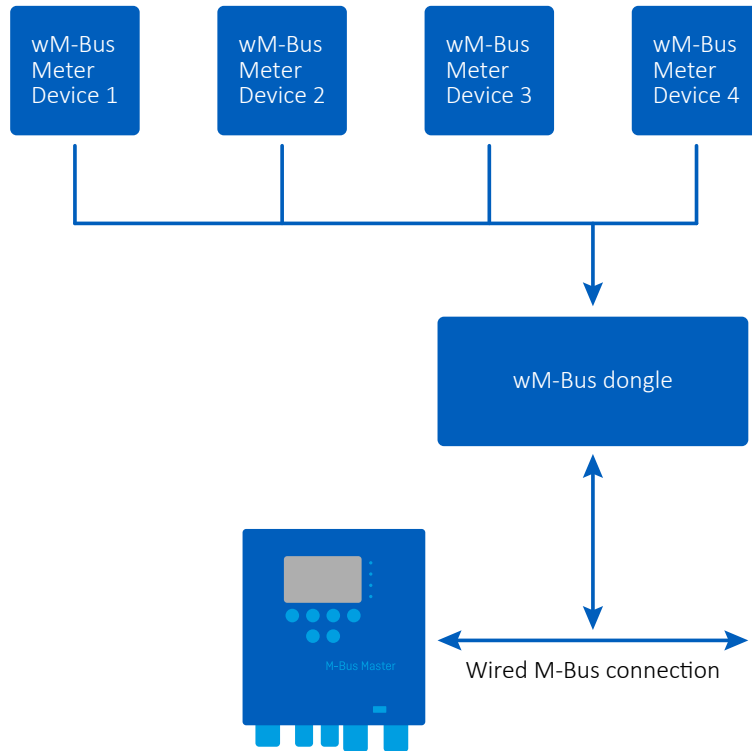
## Dimensions

---



## Principal connection diagram

---



## Ordering information

---

### Description

wM-Bus Dongle, Low inrush current

### Type No.

6697-152

### Accessories

wM-Bus Dongle USB Tool

M-BUS converter setup tool

6697-153

[download at [www.kamstrup.com](http://www.kamstrup.com)]

---

### Kamstrup A/S

Industrivej 28, Stilling  
DK-8660 Skanderborg

T: +45 89 93 10 00

F: +45 89 93 10 01

info@kamstrup.com

kamstrup.com