

Data sheet

---

## **READy Repeat 5** **Wireless M-Bus, C-mode**

- Battery-supplied repeater
- Standardised radio communication according to EN13757-4:2013
- Built-in antenna
- Handling of up to 5 Wireless M-Bus meters
- Outdoor installation, IP67



## Part of READY

---

The READY Repeat 5 is a smart battery-supplied network component which together with READY Concentrator make up the infrastructure in a READY network.

The most important role of this component is to collect and forward data from a number of meters and thereby increase

the range of the network making it possible to read meters at very large distances or under especially difficult conditions.

The READY Repeat 5 is designed for outdoor installation and is easily installed directly on wall and tubes (e.g. lamp posts) by means of customised stainless fittings.

## Technical data

---

### Capacity

Up to 5 Wireless M-Bus meters

### Frequency

EU licence free frequency bands from 868 - 870 MHz  
C mode: 868.95 MHz (one-way communication)

### Communication

Wireless M-Bus, C-mode

### Standards

EN13757-3:2013  
EN13757-4:2013

### Transmission intervals

Forwarding of meter data to READY Concentrator  
READY Repeat 5: every 16/96 seconds

### Supply

2 x D-cell lithium batteries (3.6 VDC).

### Battery lifetime

READY Repeat 5: Up to 16 years

### Range

Typically unscreened up to 200 m – depending on the installation.

## Mechanical data

---

### READY Repeat 5

Dimensions (L X W x D): 210 x 168 x 64  
Weight: 1 kg

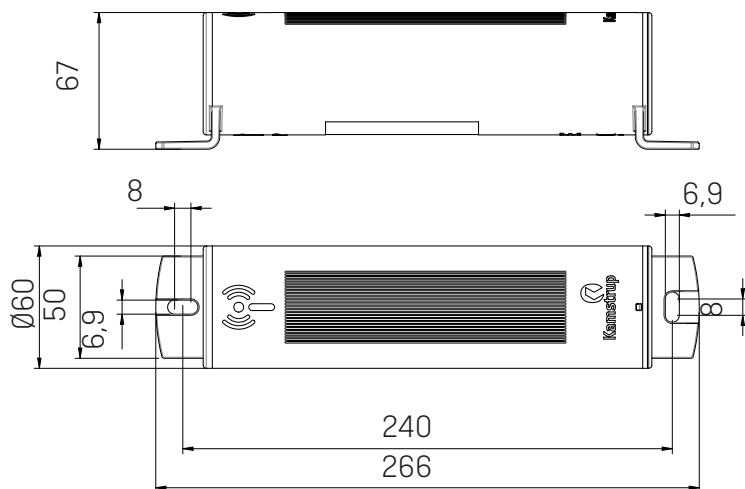
*Note: All measurements in mm*

### Temperature range

-40°C...+70°C

### Torch

Typical: 2.5 Nm  
Maximum: 4.0 Nm



## Markings

---

CE marked

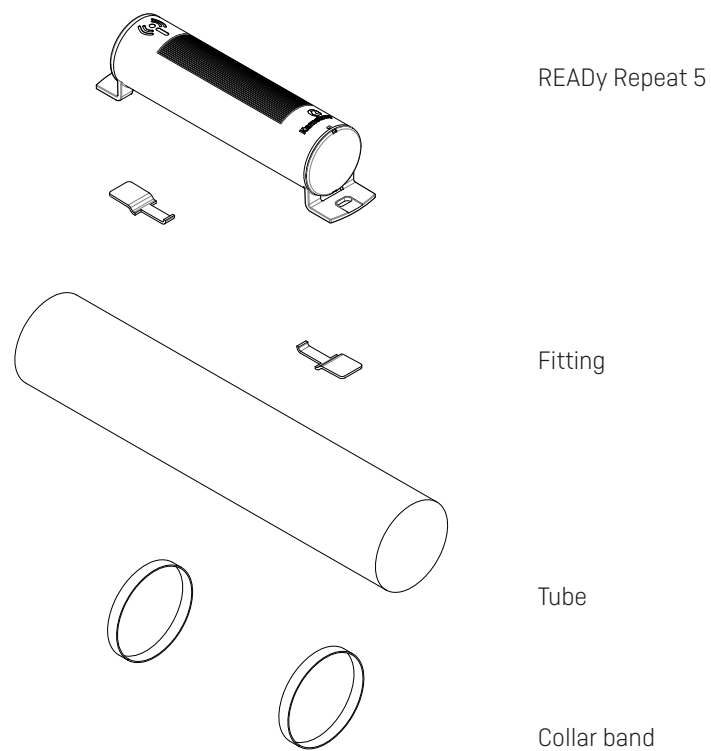
### **R&TTE**

EN300 220 – class 2

EN301 489

## Accessories

---



## Order data

---

READyRepeat5: READy Repeat 5

6697 046: Stainless collar bands (x 100)

6697 039: Stainless fitting, mini (x 50)

---

### **Kamstrup A/S**

Industrivej 28, Stilling

DK-8660 Skanderborg

T: +45 89 93 10 00

F: +45 89 93 10 01

info@kamstrup.com

kamstrup.com