

BAS 920AO



BA SYSTEMS
BUILDING AUTOMATION SYSTEMS

Datasheet

BAS920AO

Datasheet

BAS920AO is an analog output module for BAS920 port expansion.

BAS920AO includes 8 analog outputs, all controlled by the connected BAS920 unit.

BAS920AO may be configured for

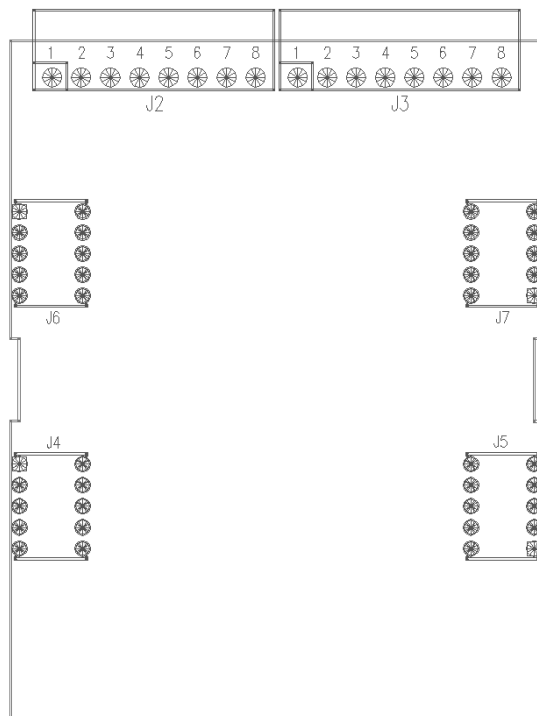
- 0-10V output
- 2-10V output

All channels may be configured individually.

The BAS920AO port interface is galvanically isolated from the BAS920 system interface. The isolation voltage is 3750V.

Typical usage for the module is

- Analog motor, position control
- Heat exchanger, level control
- Valve position control
- Etc



Notes:

J4, J6 = Expansion bus in

J5, J7 = Expansion bus out

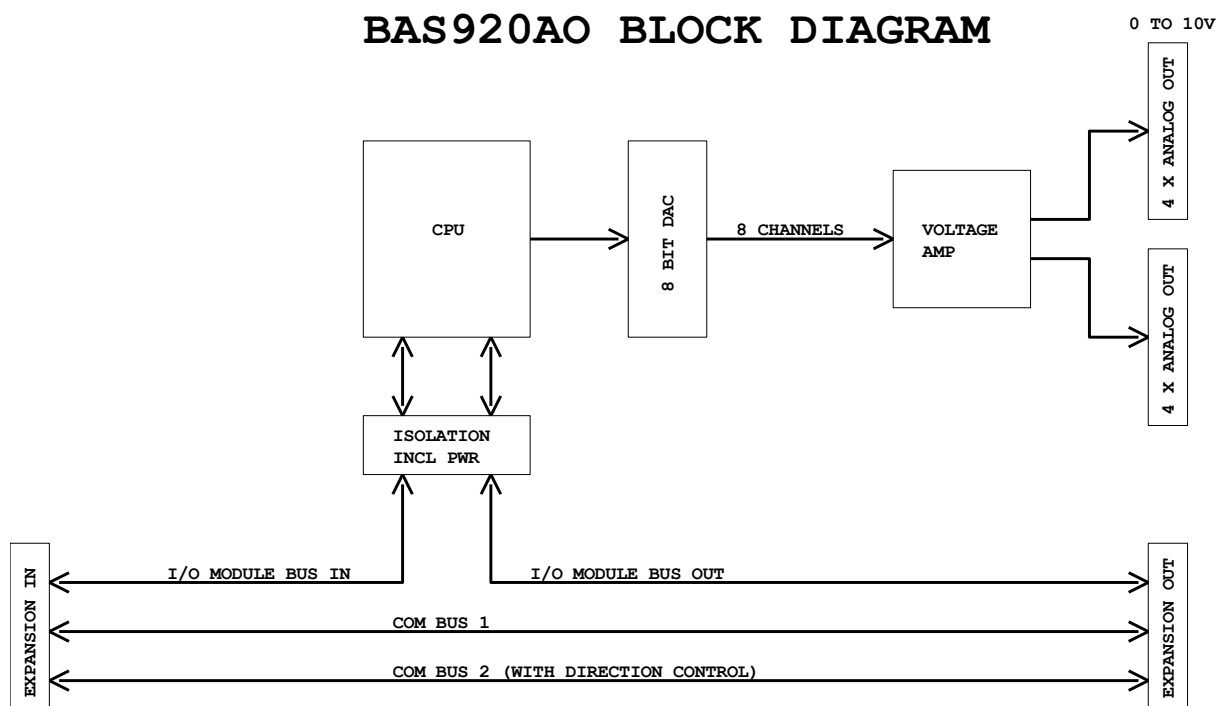
J2 (AO channel 1 to 4)

J3 (AO channel 5 to 8)

GND, all GND terminals are connected on the module internally

J2 / Pin no.	J2 / Signal	J3 / Pin no.	J3 / Signal
1	AO.1	1	AO.5
3	AO.2	3	AO.6
5	AO.3	5	AO.7
7	AO.4	7	AO.8
2,4,6,8	GND	2,4,6,8	GND

BAS920AO BLOCK DIAGRAM



Technical data	
Power supply:	Supplied by BAS920
Temperature	Storage -20 °C til +70 °C Operating -10°C til +60°C
Humidity	Max. 90% RH, non condensing
Enclosure	ABS/PC, IP20 71 x 86 x 58 mm 100 g
Analoge outputs	8 pcs 0-10 VDC 2-10 VDC