

### Application

Self-optimizing, weather-compensated flow temperature control and domestic hot water heating in max. two control circuits



The TROVIS 5433 Heating and District Heating Controller is used to control maximum two control circuits:

- Control of a primary heat exchanger or boiler with a secondary, non-mixing heating circuit and domestic hot water heating in the storage tank system or storage tank charging system
- Control of a weather-compensated heating circuit and a domestic hot water heating with two valves in the primary circuit.

### Special features

- Direct access to the operating modes and essential parameters of the control loops using rotary switches
- Intuitive data retrieval and input by turning and pressing the pushbuttons
- 365-day clock with max. three time schedules and automatic summer time/winter time changeover; maximum three times-of-use per day (input in steps of 30 minutes)
- Room panels to adjust the operating mode and rated room temperature
- Demand-driven control via set point request of subsequent control circuits using 0 to 10 V. The primary circuit controls the maximum flow temperature required plus adjustable boost.
- System with instantaneous water heating can be configured using a hydraulic pressure switch.
- Heating characteristics either according to gradient or four points; variable limitation of the return flow temperature
- Optimization: calculation of the best possible activation and deactivation times of the heating (with and without room temperature sensor)
- Drying of jointless floor function with adjustable parameter settings
- Configuration data and parameters can be exchanged using a memory pen.
- Configuration and parameterization over TROVIS-VIEW software



Fig. 1 · TROVIS 5433 Heating and District Heating Controller



## Technical data

Inputs	7 inputs for Pt 1000 or PTC temperature sensors, Input at terminal 14 alternatively for storage tank thermostat; 1 input for room panel/potentiometer 1 input for demand/outdoor temperature 0 to 10 V, $R_i = 20 \text{ k}\Omega$ (demand: 0 to 10 V corresponding to 0 to 120 °C flow temperature) (outdoor temperature: 0 to 10 V corresponding to -40 to 50 °C outdoor temperature)
Outputs*	Three-step signal/ on/off signal at terminals 23/24: Load 20 to 250 V AC, 0.5 A (triac outputs with varistor suppression) Three-step/ on/off signal at terminals 20/21: Load 230 V AC, 2 A (relay outputs with varistor suppression) 3 pump outputs: Load max. 230 V AC, 2 A (relay outputs with varistor suppression) 1 output for demand/outdoor temperature 0 to 10 V, load $> 2 \text{ k}\Omega$
Operating voltage	230 V AC (+10 %, -15 %), 48 to 62 Hz, max. 3 VA
Ambient temperature	Operation: 0 to 50 °C Storage and transport: -10 °C to 60 °C
Relative humidity	Normal, no dew formation
Degree of protection	IP 40 according to EN 60529
Class of protection	I according to EN 50178
Degree of contamination	2 according to EN 50178
Overvoltage category	II according to EN 50178
Noise immunity	According to EN 61000-6-1
Noise emission	According to EN 61000-6-3
Weight	Approx. 0.6 kg

\* In systems with one control circuit, up to 4 pump outputs are available.

### Electrical connection and installation

The controller consists of the controller housing containing the electronics and a separate terminal board for electrical connection. Two wires of max. 1.5 mm<sup>2</sup> can be connected to each terminal. The sensor connection lines must be installed separately from the lines carrying the operating voltage. For wall mounting, screw the terminal board to the wall. After wiring the controller, plug the connector housing onto the terminal board and fasten it with two screws. Two fastening elements for panel mounting are delivered with the controller.

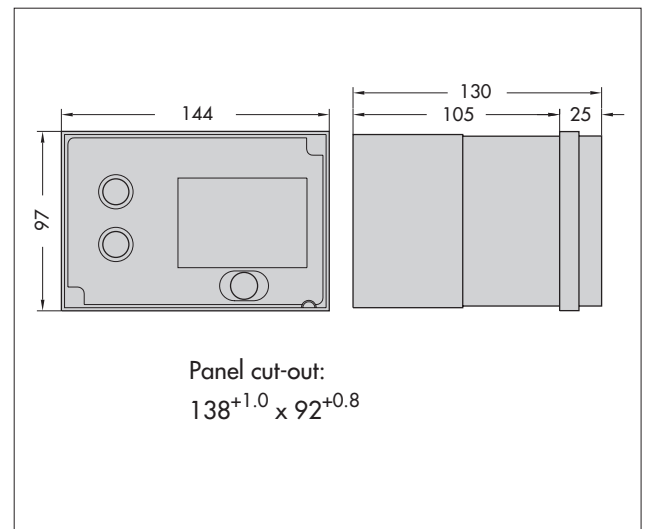
### Ordering text

Heating and District Heating Controller TROVIS 5433

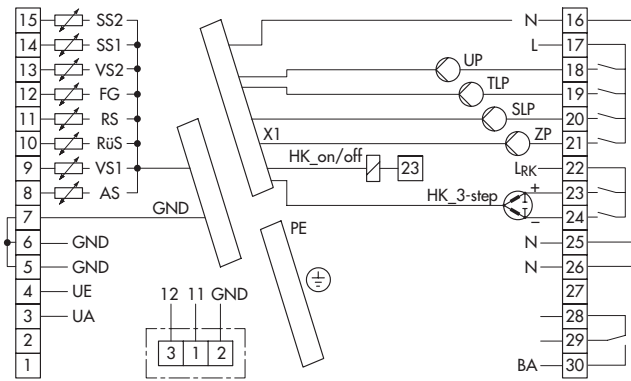
### Accessories:

- Room panels
  - Type 5244** · PTC room sensor with room panel
  - Type 5257-5** · Pt 1000 sensor with room panel
- Memory pen-64 1400-9753
- TROVIS-VIEW Configuration and Operator Interface 6661-1003 for TROVIS 5433

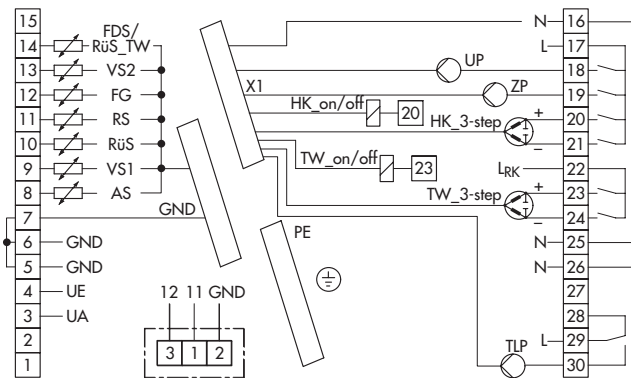
### Dimensions in mm



## Terminal assignment



Connection diagram for system code numbers 1 to 4



Connection diagram for system code number 5

AS	Outdoor sensor	HK	Heating circuit
FDS	Hydraulic pressure switch	L <sub>RK</sub>	Voltage supply for actuator
FG	Potentiometer	PE	Grounding conductor
RS	Room sensor	SLP	Storage tank charging pump
RüS	Return flow sensor	TLP	Heat exchanger charging pump
RüS_TW	Return flow sensor for DHW heating	TW	DHW heating
SS	Storage tank sensor	UA	Output for demand/outdoor temperature
VS	Flow sensor	UE	Input for demand/outdoor temperature
BA	Binary output	UP	Circulation pump (heating circuit)
GND	Ground	ZP	Circulation pump (DHW circuit)

Fig. 3 · Terminal assignment of the TROVIS 5433 Heating and District Heating Controller

Specifications subject to change without notice.